

The unique design of the Dopak No Bottle No Flow (VTO-NBNF) is based on the conventional Dopak VTO needle assembly and includes a facility to prevent flow without a Dopak bottle with cap and a septum in place.

The VTO-NBNF is a safety feature which can be implemented in both new and existing Dopak samplers.

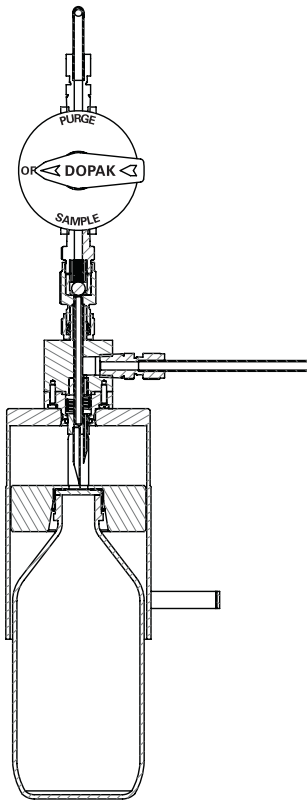
- No flow of product without a sample bottle into place.
- Secondary shut-off valve (normally closed).
- Implementable in existing Dopak samplers.

The bottle interlock system ensures closure of the needle assembly even if the handle is in "sample" position. Due to the special design the VTO-NBNF enforces the use of a sample bottle with cap and a septum. This way leakage or spillage of the medium is prevented and zero emission accomplished.

The VTO-NBNF provides optimal protection for the operator and the environment and is easy to use.

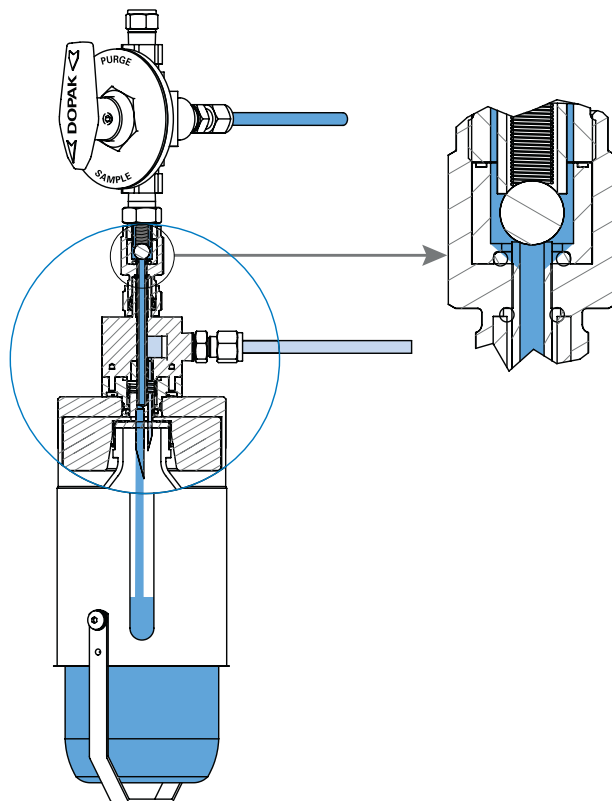


1 OPERATION



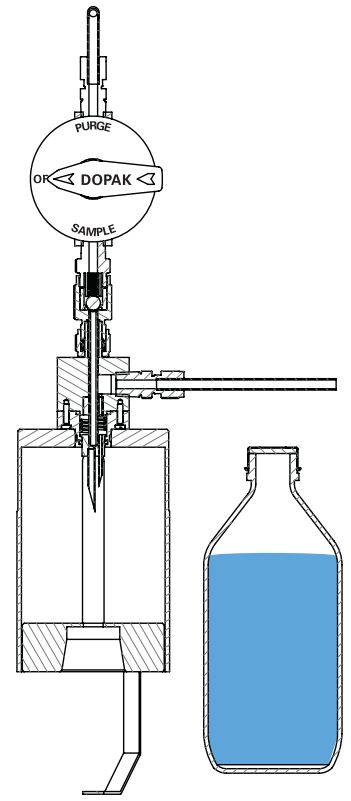
0 - off

Without the sample bottle in place the VTO-NBNF is closed.



1 - sample

When the sample bottle is pushed into place, the VTO-NBNF is automatically opened. In this position the required sampling operation can be performed to allow product to flow into the bottle.



2 - off

When the sample operation is finished, the bottle can be removed. The VTO-NBNF will close automatically.

2 SPECIFICATIONS

Part number	Description	Process needle ID (mm)	Vent needle ID (mm)	Process connection	Vent connection	Body materials	O-ring material
2017851	VTO-NBNF	1.35	1.35	1/4 M NPT	1/4 F NPT	SS316	Viton
2017852	VTO-NBNF	3.00	1.35	1/4 M NPT	1/4 F NPT	SS316	Viton

The NBNF is standard available in SS316 and a range of special alloys on request. Standard O-ring material is Viton, Kalrez (FFKM) is also available on request.

For any other information required, please contact our sales department at Bergschenhoek or Houston or your local representative.

Dopak Inc.

Houston, Texas 77041, USA
 Phone 713-460-8311
 Fax 713-460-8578
 E-mail info@dopak.com

Dovianus BV

Bergschenhoek, The Netherlands
 Phone +31 10 524 20 00
 Fax +31 10 524 20 29
 E-mail info@dopak.nl

Your local representative